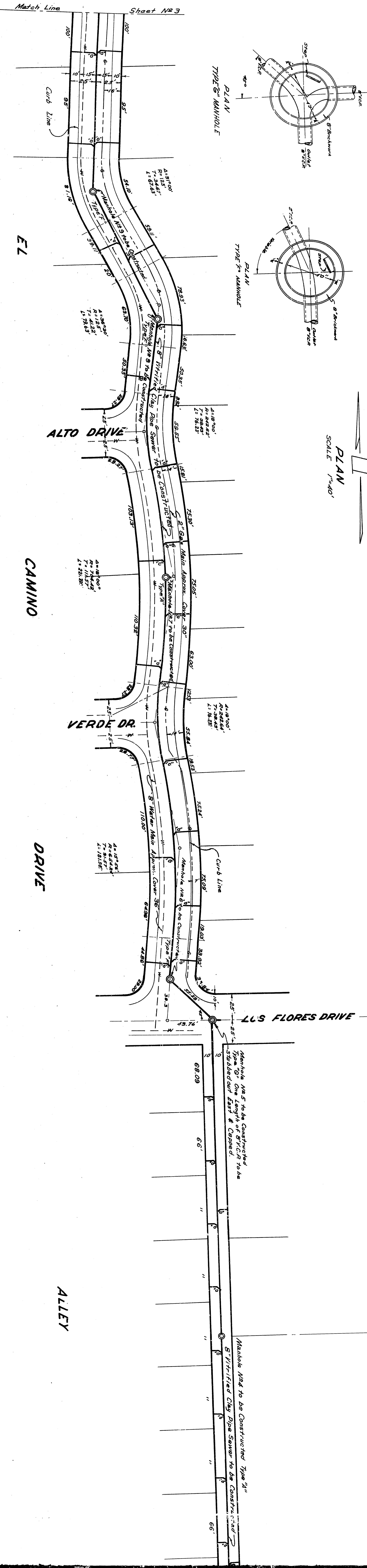


PROFILE
HORIZ. 1"=40'
VERT. 1"=4'



E1

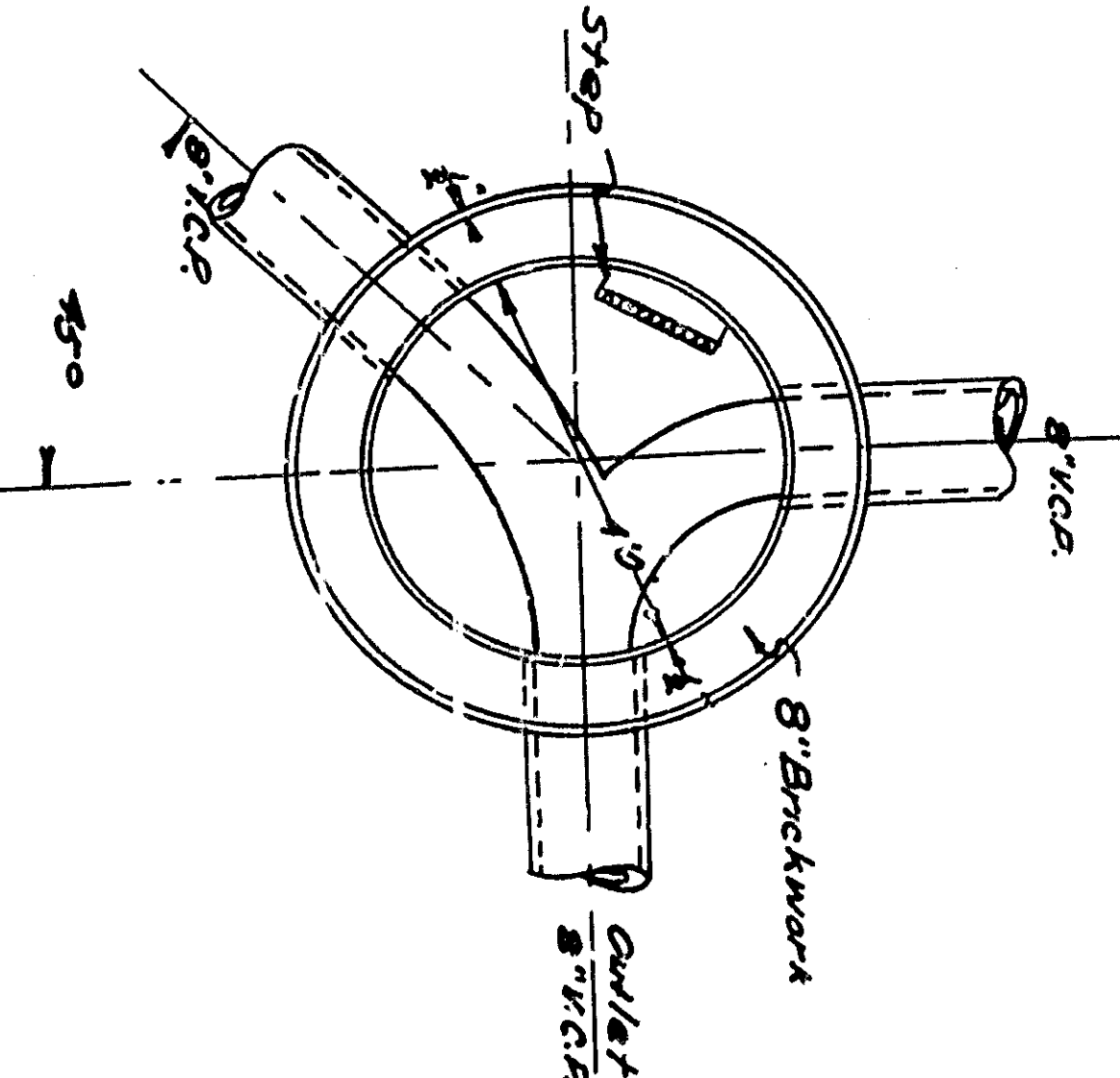
CAMINO

DRIVE

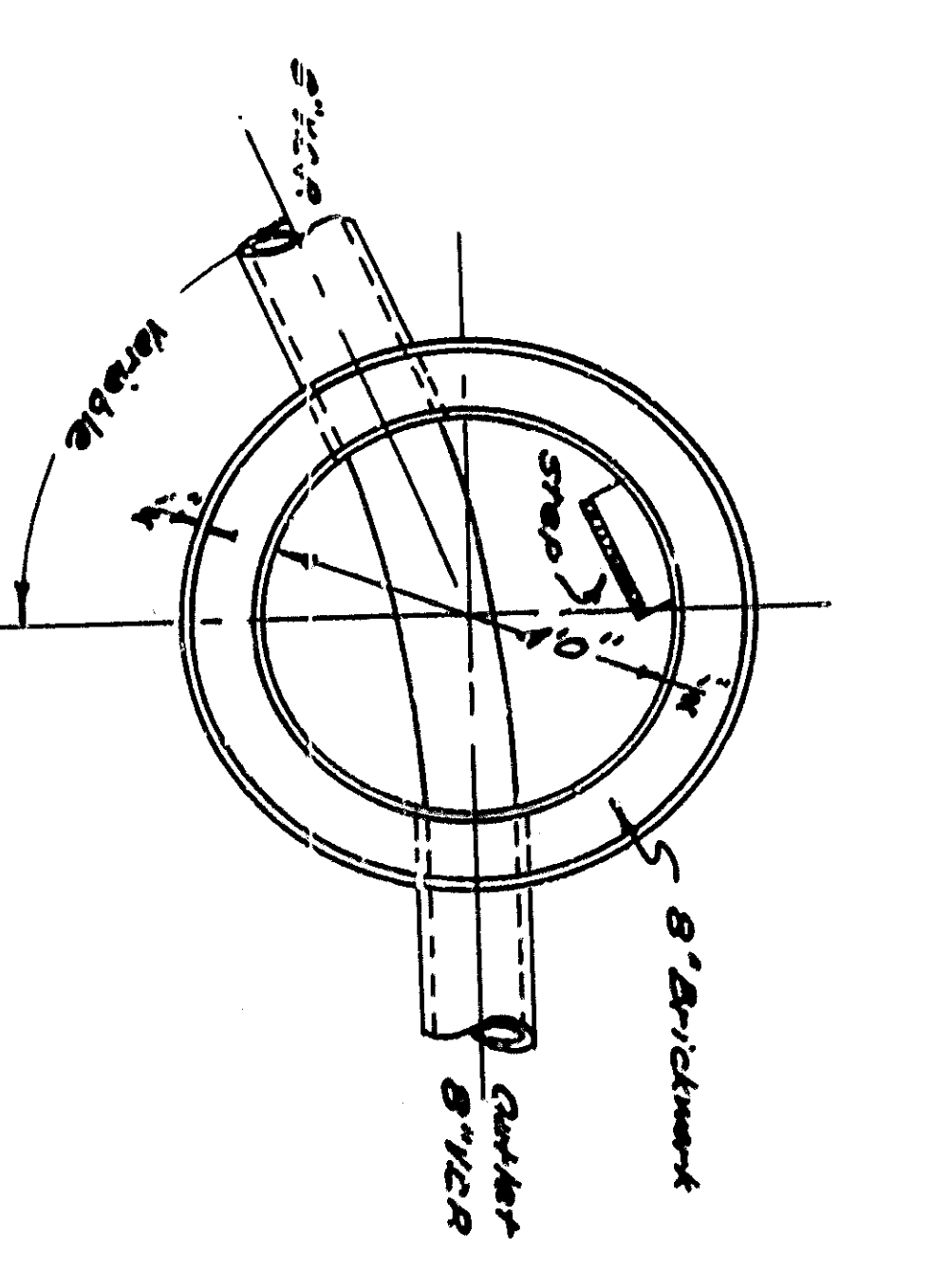
ALLEY

PLAN
SCALE 1"=40'

PLAN
TYPE 2 MANHOLE



PLAN
TYPE 3 MANHOLE



M.H. No. 5 to be Constructed Type A
8\"/>

M.H. No. 7 to be Constructed Type A
8\"/>